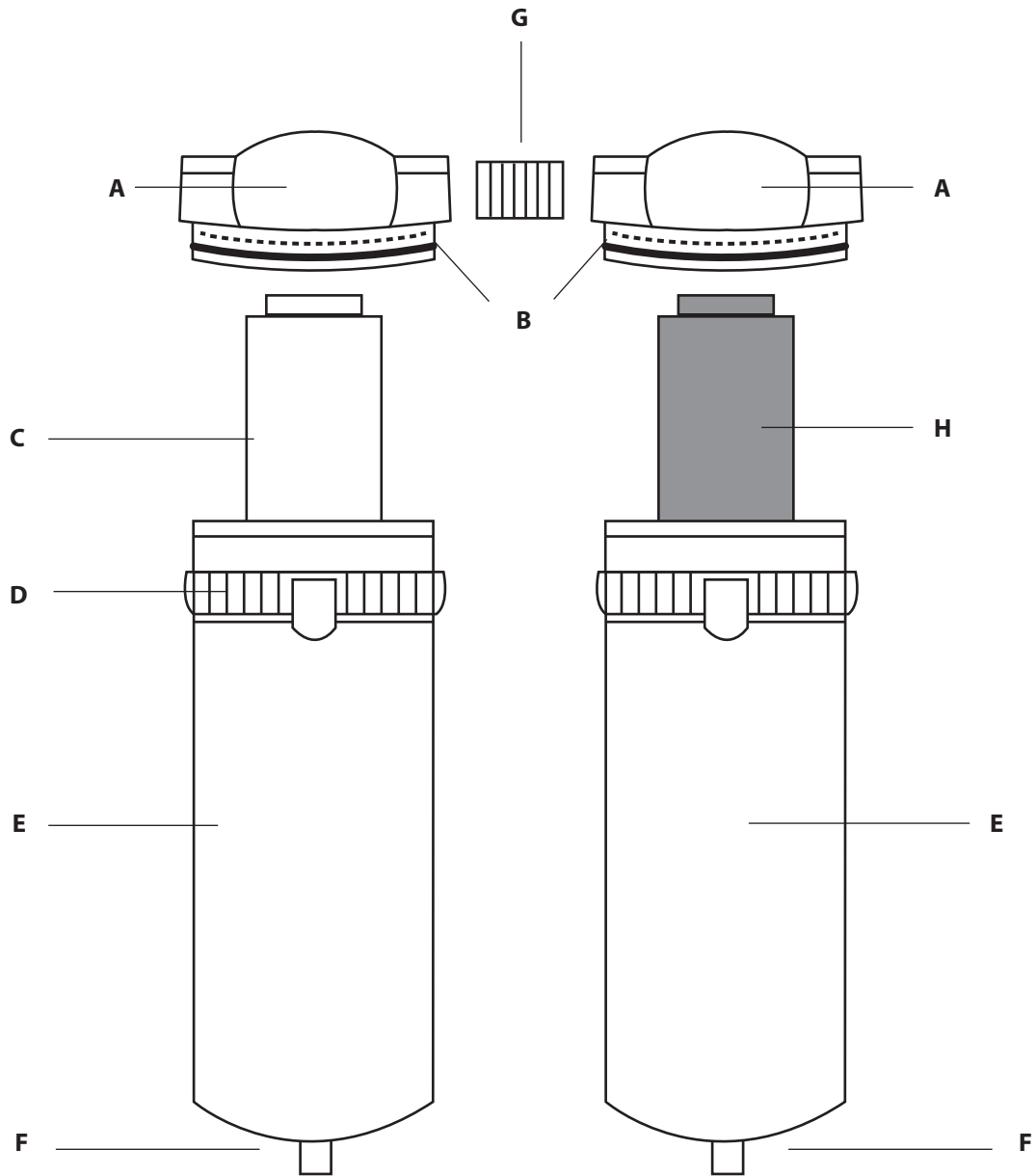


1P-250-M06-DC Breakdown



Description

Part

Description

Part

A	Filter Head Assembly	WIL-063
B	O-ring for Bowl	N32-95-567
C	1st Stage Replacement Element	1P-250
D	Bowl Clamp Ring (only)	WIL-013

E	Bowl Assembly w/Drain	N34-15-178
F	Auto Drain	N32-95-979
G	3/4 " Nipple	MPF-007
H	2nd Stage Replacement Element	3C-250



(800) 521-9200



www.driair.com | www.rti-pbe.com



@RTiPBE



@rti_pbe

